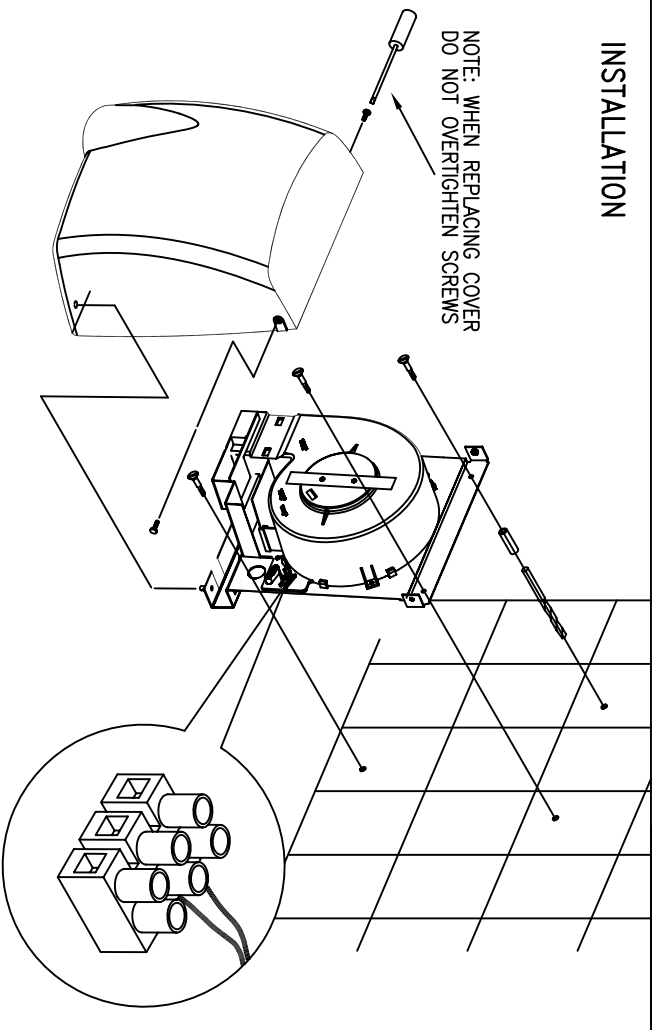


## INSTALLATION

NOTE: WHEN REPLACING COVER DO NOT OVERTIGHTEN SCREWS



# 1500 A.O.D

### INSTALLATION INSTRUCTIONS

ALWAYS ENSURE THAT THE INSTALLATION CONFORMS TO THE CURRENT EDITION OF THE IEE WIRING REGULATIONS, BS7671(UK) OR THE APPROPRIATE STANDARDS IN YOUR COUNTRY. ENSURE THAT THE UNIT IS SEPARATELY FUSED WITH A SUITABLY RATED FUSE AND THAT IT IS CONNECTED TO THE SUPPLY WITH A DOUBLE POLE ISOLATING SWITCH HAVING A CONTACT SEPARATION OF AT LEAST 3mm. CARE SHOULD BE TAKEN THAT SINGLE INSULATED CONDUCTORS CANNOT COME INTO CONTACT WITH THE MOUNTING SURFACE.

### MOUNTING INSTRUCTIONS

UNIT MUST BE FIXED TO A SOLID SUPPORTING WALL. SEE OVERLEAF FOR MOUNTING HOLE TEMPLATE. RECOMMENDED FIXING HEIGHTS TO TOP OF UNIT ARE AS FOLLOWS:--  
a) 1.5 METRES ABOVE FLOOR FOR NORMAL USE  
b) 1.3 METRES ABOVE FLOOR WHERE AVERAGE AGE OF USER IS BELOW 16 YEARS  
c) 1.0 MINIMUM DISTANCE ABOVE SHELVES, SINKS OR RADIATORS  
TO ENSURE EASE OF INSTALLATION AND SUBSEQUENT MAINTENANCE, THE HORIZONTAL DISTANCE TO ANY ADJACENT WALL SHOULD NOT BE LESS THAN 0.2 METRES

**AFTER INSTALLATION OR SERVICING, UNITS MUST BE CHECKED, AND ONLY LEFT WHEN ELECTRICALLY AND MECHANICALLY SAFE.**

When ordering replacement modules always quote SERIAL NO., MODEL/SERIES, ELECTRICAL SUPPLY VOLTAGE AND FREQUENCY.

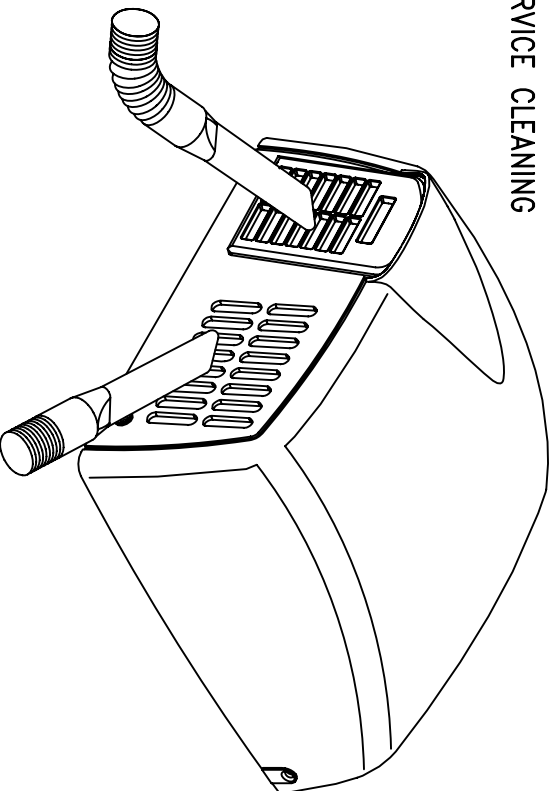
**SERVICING THE HAND DRYER**  
THE MINIMUM SERVICE PERIOD FOR THE DRYER SHOULD BE EVERY 3 MONTHS OR MORE FREQUENT INTERVALS AS EXPERIENCE DICTATES  
ISOLATE THE UNIT FROM THE ELECTRICITY SUPPLY BEFORE SERVICING. REMOVE DUST, FLUFF AND ANY OTHER BUILD UP OF FOREIGN MATTER FROM INLET AND OUTLET GRILLE AREAS

### Guarantee

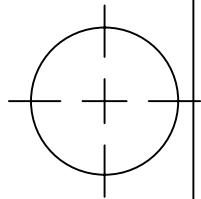
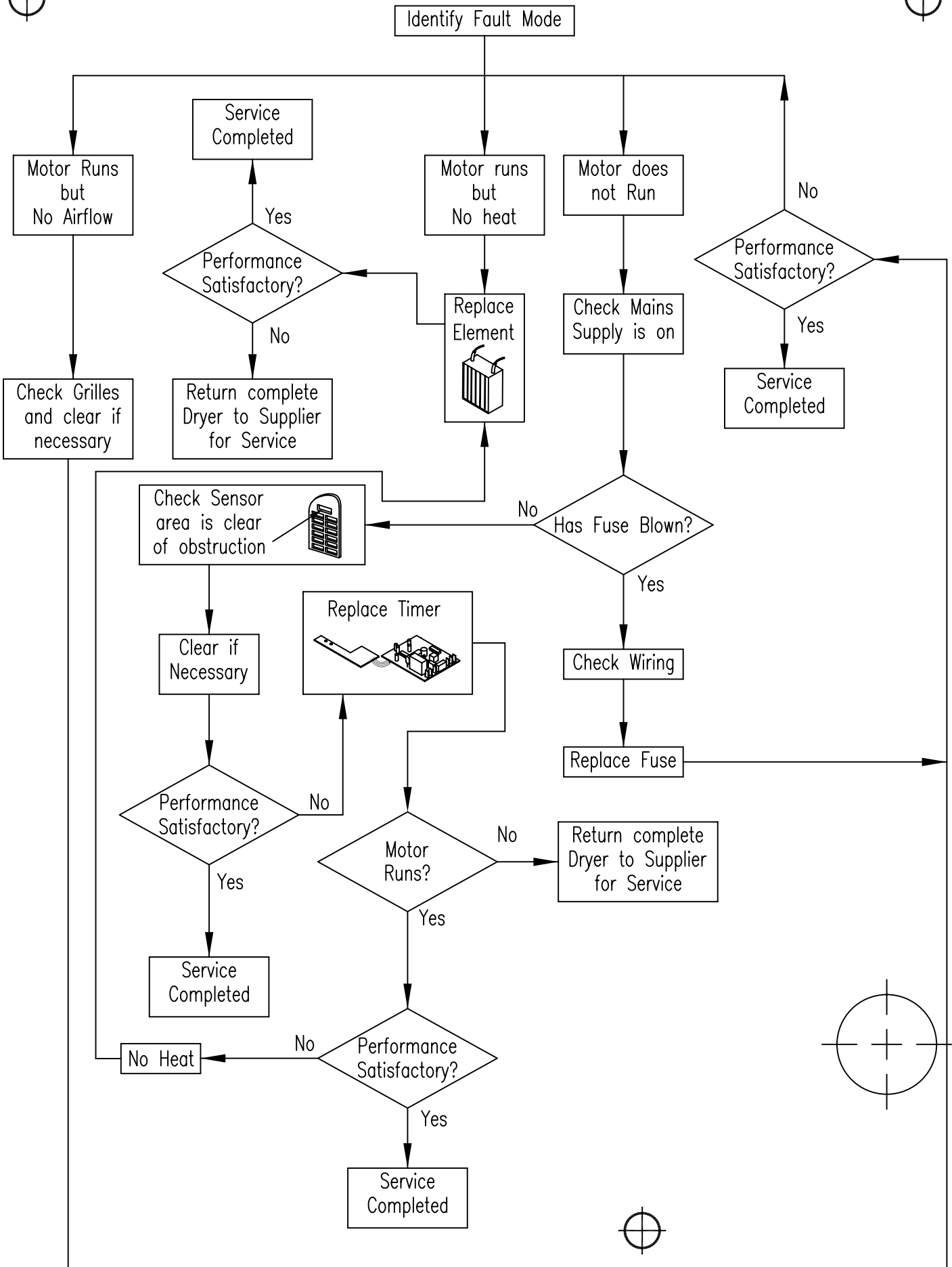
The hand dryer is Guaranteed for two years from the date of purchase against faulty materials or workmanship.  
In the event of any part being found to be defective, the hand dryer will be repaired, or at the Manufacturer's option replaced, without charge, provided that the hand dryer:  
a) has been installed and used in accordance with the instructions given with each unit.  
b) has not been connected to an unsuitable electrical supply. (Correct electricity supply requirements are stated on the units rating label).  
c) has not been subjected to mis-use, neglect or damage.  
d) has been properly serviced in accordance with the instructions given with each unit.  
e) has not been modified or repaired by any person not authorised by the Manufacturer.

*This guarantee excludes labour after an initial 12 month period.*

## SERVICE CLEANING



**THIS UNIT MUST ONLY BE FITTED BY SUITABLY QUALIFIED PERSONNEL.**



FAULT DIAGNOSIS CHART