

AUTOMATIC HAND DRYER

INSTALLATION INSTRUCTIONS

ALWAYS ENSURE THAT THE INSTALLATION CONFORMS TO THE CURRENT EDITION OF THE IEE WIRING REGULATIONS BS7671(UK) OR THE APPROPRIATE STANDARDS IN YOUR COUNTRY. ENSURE THAT THE UNIT IS SEPARATELY FUSED WITH A SUITABLY RATED FUSE AND THAT IT IS CONNECTED TO THE SUPPLY WITH A DOUBLE POLE ISOLATING SWITCH HAVING A CONTACT SEPARATION OF AT LEAST 3mm. CARE SHOULD BE TAKEN THAT SINGLE INSULATED CONDUCTORS CANNOT COME INTO CONTACT WITH THE MOUNTING SURFACE.

GENERAL SAFETY

DISCONNECT POWER BEFORE INSTALLATION OR SERVICING.
THIS APPLIANCE MUST BE EARTHED.
THIS PRODUCT IS INTENDED FOR INSTALLATION BY A QUALIFIED PERSON.

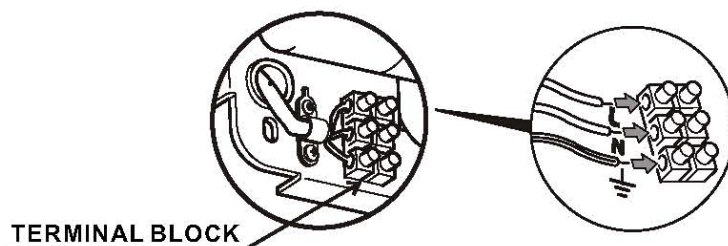
MOUNTING INSTRUCTIONS

THE UNIT MUST BE FIXED TO A SOLID SUPPORTING WALL. SEE SUPPLIED MOUNTING HOLE TEMPLATE. RECOMMENDED FIXING HEIGHTS TO TOP OF UNIT ARE AS FOLLOWS:-

- a). 1.5 METRES ABOVE THE FLOOR FOR NORMAL USE.
 - b). 1.3 METRES ABOVE THE FLOOR WHERE AVERAGE AGE OF USER IS BELOW 16 YEARS.
- THIS HAND DRYER MUST NOT BE MOUNTED ABOVE SHELVES, SINKS OR RADIATORS TO ENSURE EASE OF INSTALLATION AND SUBSEQUENT MAINTENANCE, THE HORIZONTAL DISTANCE TO ANY ADJACENT WALL SHOULD NOT BE LESS THAN 0.2 METRES.

- 1.FIX THE MOUNTING HOLE TEMPLATE TO THE WALL, TO THE HEIGHT AS STATED ABOVE.
- 2.DRILL 4 HOLES 8mm TO A DEPTH OF 35mm.
- 3.REMOVE MOUNTING TEMPLATE.
- 4.FIT WALL PLUGS SUPPLIED INTO THE HOLES.
- 5.REMOVE THE COVER FROM THE HAND DRYER BASE PLATE.
- 6.FIX THE BASE PLATE TO THE WALL USING THE SCREWS PROVIDED.
- 7.WIRE UP HAND DRYER AS DETAILED BELOW.
- 8.ATTACH COVER BACK ONTO BASE PLATE.
- 9.CHECK HAND DRYER OPERATION.

WIRING DETAILS



- 1.CONNECT THE LIVE WIRE (COLOURED RED OR BROWN) TO THE TERMINAL MARKED "L"
- 2.CONNECT THE NEUTRAL WIRE (COLOURED BLACK OR BLUE) TO THE TERMINAL MARKED "N"
- 3.CONNECT THE EARTH WIRE (COLOURED GREEN & YELLOW) TO THE TERMINAL MARKED "E"

SERVICING AND MAINTENANCE

THE MINIMUM SERVICE PERIOD FOR THE DRYER SHOULD BE EVERY 3 MONTHS OR MORE FREQUENT INTERVALS AS EXPERIENCE DICTATES.
ISOLATE THE UNIT FROM THE ELECTRICITY SUPPLY BEFORE SERVICING, REMOVE DUST, FLUFF AND ANY OTHER BUILD UP OF FOREIGN MATTER FROM INLET AND OUTLET GRILLE AREAS

TROUBLE SHOOTING

SYMPTOM:-

BLOWER MOTOR STOPS RUNNING

CORRECTIVE ACTION:-

DISCONNECT THE POWER SUPPLY TO THE HAND DRYER AND REMOVE THE COVER

CHECK ALL THE WIRING FROM THE TERMINAL BLOCK TO THE MOTOR.

CHECK THE BLOWER WHEEL AND SPIN TO MAKE SURE IT ROTATES FREELY. LOOK FOR ANY OBJECTS BLOCKING THE BLOWER.

REPLACE COVER AND CONNECT THE POWER TO THE HAND DRYER.

IF MOTOR FAILS TO START, HAVE A QUALIFIED ELECTRICIAN CHECK THE THERMOSTAT, MOTOR AND CAPACITOR FOR PROPER OPERATION. REPLACE IF NECESSARY.

SYMPTOM:-

DRYER BLOWS COLD AIR

CORRECTIVE ACTION:-

DISCONNECT THE POWER SUPPLY TO THE HAND DRYER AND REMOVE COVER.

CHECK ALL WIRING CONNECTIONS TO MAKE SURE THE CONNECTIONS ARE FIRMLY MOUNTED IN PLACE AND THAT THE INSULATION IS IN GOOD CONDITION.

HAVE A QUALIFIED ELECTRICIAN CHECK THE THERMAL CUT OFF AND HEATING ELEMENT. REPLACE COVER AND CONNECT THE POWER TO THE HAND DRYER.

IF DRYER CONTINUES TO BLOW COLD AIR, REPLACE DEFECTIVE THERMAL CUT OFF AND/OR HEATING ELEMENT.

SYMPTON:-

DRYER DOES NOT RESPOND TO HAND MOVEMENT

CORRECTIVE ACTION:-

MAKE SURE POWER IS ON AND AVAILABLE TO THE UNIT. PLACE HANDS UNDER SENSOR.

A CLICKING SOUND INDICATES SENSOR IS FUNCTIONING PROPERLY.

NO CLICKING SOUND WOULD INDICATE A BAD SENSOR AND/OR CONTACTOR.

REPLACE IF NECESSARY.

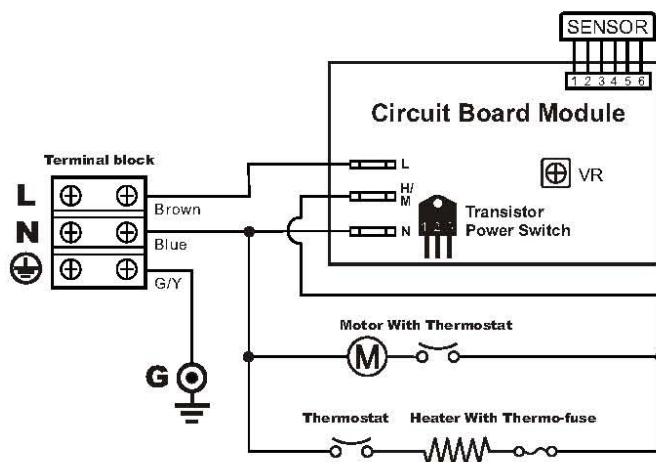
SYMPTON:-

DRYER WILL NOT SHUT OFF OR WILL NOT RUN FOR A COMPLETE CYCLE

CORRECTIVE ACTION:-

REPLACE TIMER ASSEMBLY

INTERNAL WIRING



PO BOX 1285, CRAWLEY RH10 0LY

EU Authorised Representative: Anda Products Bedrijvenweg 17 7442 CX Nijverdal Nederland
authorisedrep@andaproducts.nl