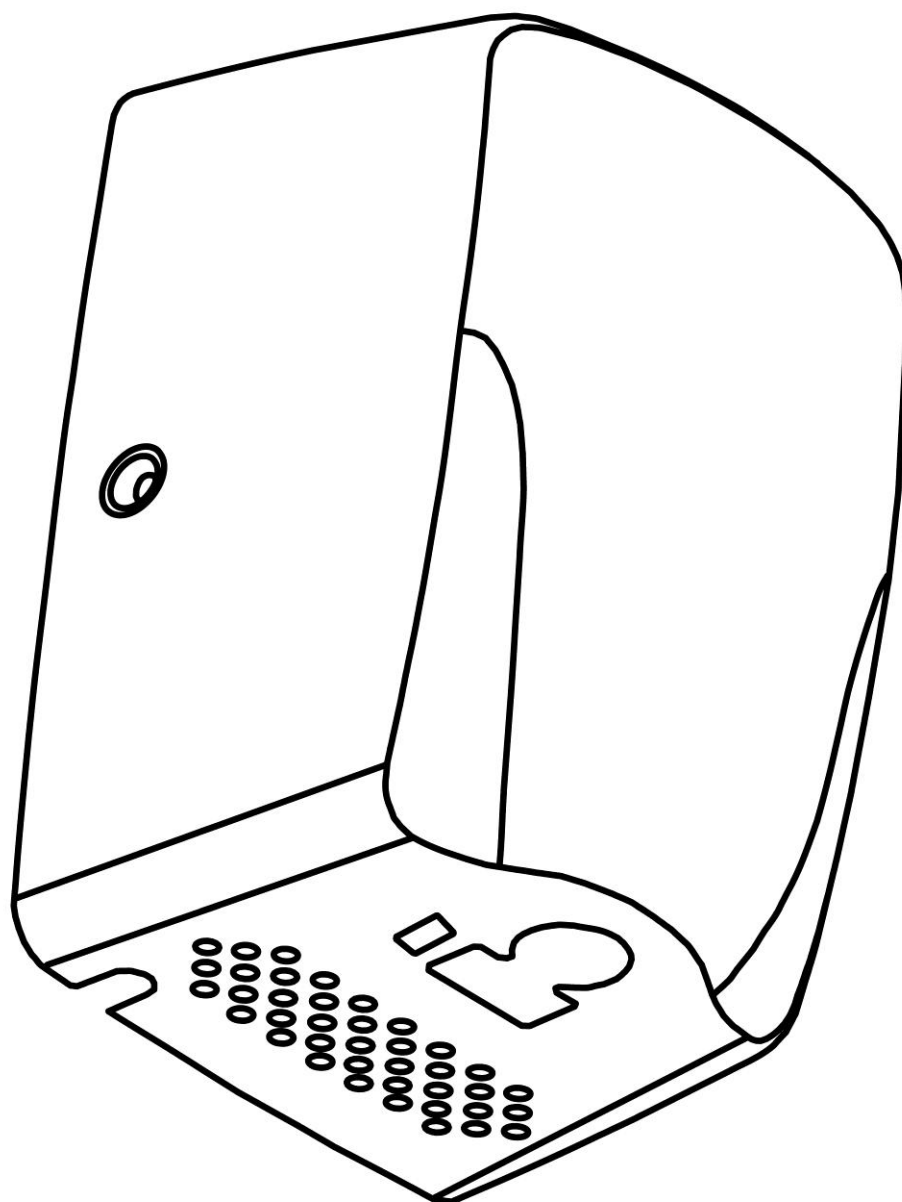


# Hand Dryer Installation & User Manual



Please read instructions in conjunction with the illustrations. Please save these instructions





## Safety & Guidance notes

### Important:- Read all these instructions before commencing the installation.

- All wiring of this hand dryer should be in accordance with the current IEE regulations, or the appropriate standards in your country.
- This hand dryer **MUST** be installed by a suitably qualified person.
- Ensure that the mains supply (voltage, frequency, and phase) complies with the hand dryers rating label.
- This appliance is not intended for use by persons (including children) with reduced physical, sensory or mental capabilities, or lack of experience and knowledge, unless they have been given supervision or instruction concerning use of the appliance by a person responsible for their safety.
- Children should be supervised to ensure that they do not play with the appliance.
- Do not allow hand dryer to get excessively wet.
- Do not modify and disassemble the unit unnecessarily.
- The hand dryer should be provided with a fused spur, isolator switch capable of disconnecting all poles, having a contact separation of at least 3mm.
- Ensure the hand dryer is properly earthed
- Wear gloves when inspecting and cleaning the unit.
- If the supply cord is damaged, it must be replaced by a suitably qualified service engineer in order to avoid a hazard.
- For additional protection, the installation of a residual current device (RCD) having a rated residual operating current not exceeding 30mA is advisable in the electrical circuit supplying the dryer.
- Do not use the hand dryer in the following places:-
  - Where the ambient temperature is below -10°C or above 40°C
  - Where the hand dryer may come into direct contact with water
  - Where the unit is under direct or strong sunlight
  - Where condensation may form within the unit.
  - Locations where corrosive, neutral, or reductive gases are present.

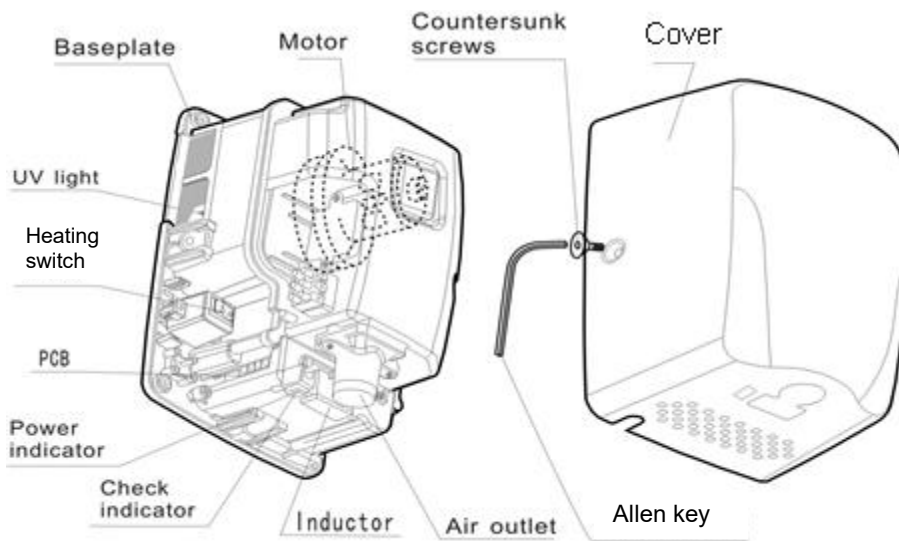
### Features

- “No touch” hand drying ensures complete hygiene.
- Economical high speed drying only “10 seconds”
- Built in tamper-proof timer function (The built in timer will stop the unit after 40 seconds).
- Heat on/off option via internal switch
- Automatic heating system. (when the washroom is cold the heating system will be activated, when the room is hot the heating system will shut down).
- Internal UV protection.

### Specifications

<b>Rated voltage</b>	220-240V ~	<b>Motor</b>	Brush motor
<b>Input power</b>	1150 – 1350W	<b>Sensing distance</b>	15-20cm
<b>Air velocity</b>	60 m/S	<b>Protection class</b>	IP13
<b>Heating power</b>	650 – 750W	<b>Dimensions</b>	260x180x152
		<b>Net weight</b>	3.0kg

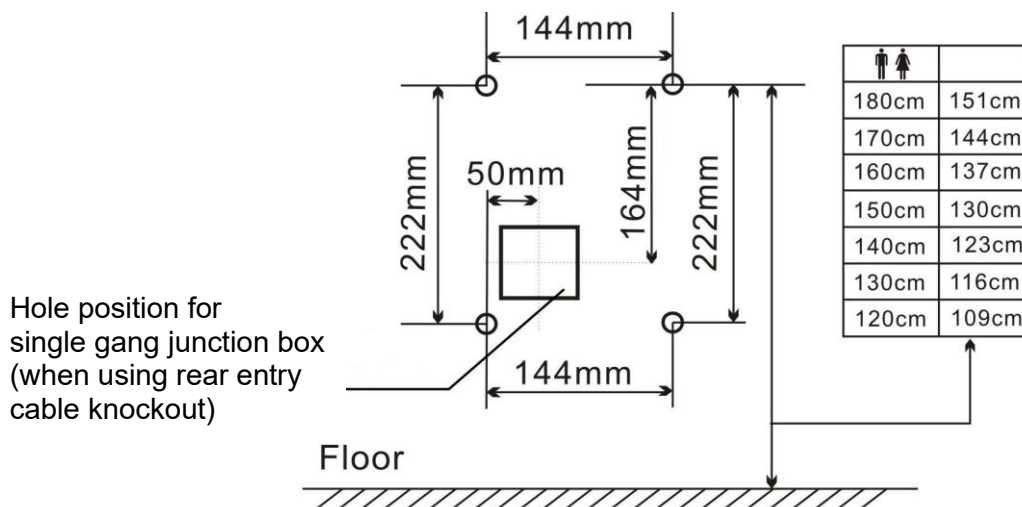
## Hand dryer Features & functions



## Before installing the hand dryer

### Installation location

- Install the hand dryer in a location where it will be easy to use, and ensure that there is adequate space around the dryer for cleaning and maintenance.
- The distance between the base of the hand dryer and any other surface must be greater than 400mm.
- The sides of the hand dryer must be at least 100mm away from any walls, to allow access to the cover screws
- Avoid installing the hand dryer in locations where people or doors might bump into the dryer.
- Choose a completely flat surface on the wall to install the dryer.
- See below for recommended mounting heights, and mounting hole positions.



## Installation procedure

Use 220-240V 50Hz ~ supply (Do not use if power supply is exceeding rated voltage +/-10%.

Use a power cord that is between 2mm<sup>2</sup> and 2.5mm<sup>2</sup> (A drop in voltage is possible if the power cord run exceeds 11m in length, so we recommend using 2.5mm<sup>2</sup> cord). Do not install above a fixed socket outlet.

## Wiring the unit

Fit a suitable recessed back box  
And run the cable through as shown.

Note:- The unit is supplied with a length of flexible Cord for connecting to a suitably rated fused spur if required).

Remove the 2 countersunk cover screws using the Allen key provided. Pull the cover upwards to remove and then place in a safe place.

Attach the baseplate/dryer to the wall using the 4 off screws and wall plugs provided.

If the wall is concrete, use commercially available metal screw plugs.

(Make sure that the wall the hand dryer is being fixed to is strong enough to take the weight of the dryer 3.0kg)

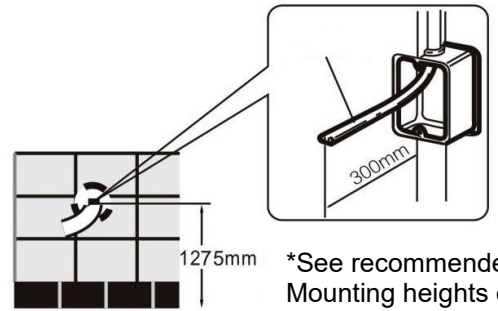
To gain access to the wiring terminals (If you do not wish to use the fitted cord provided). Please proceed as follows

Loosen the 3 terminal screws holding in the flexible cord.  
Loosen the cable clamp and carefully pull out the fitted cord.  
To connect your own cord direct to the hand dryer please proceed as follows.

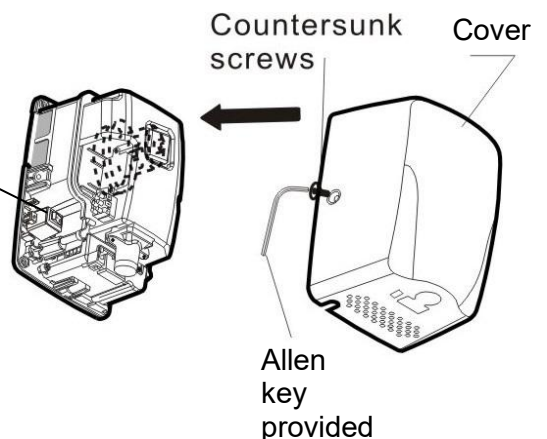
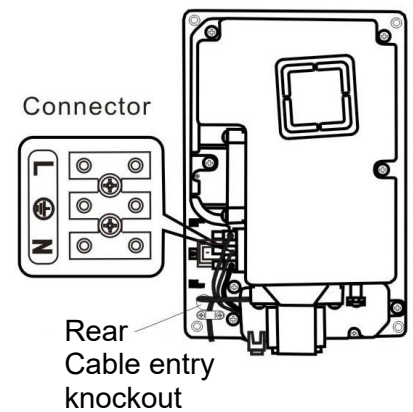
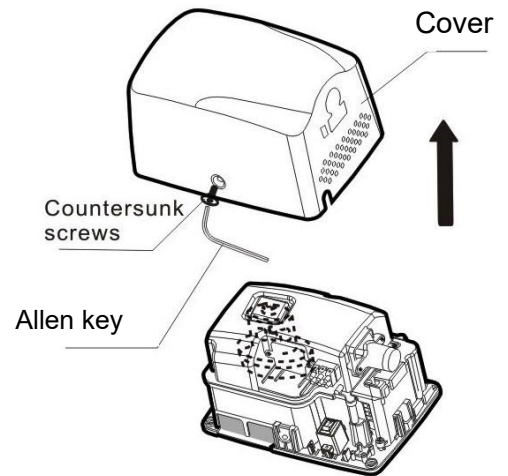
1. Remove knockout in rear of hand dryer base.
2. Pass power lead through the hole and up to the terminal block.
3. Strip off the outer and inner insulation as required.
4. Connect the power cord to the terminal block as follows  
Brown to live "L", Green/Yellow to Earth "⊕" and Blue to Neutral "N".
5. Ensure the cable clamp is fitted and tight.

Select heat setting required on/off

Carefully replace the front cover making sure the wires do not get trapped. Tighten up the 2 countersunk Screws with the Allen key provided.



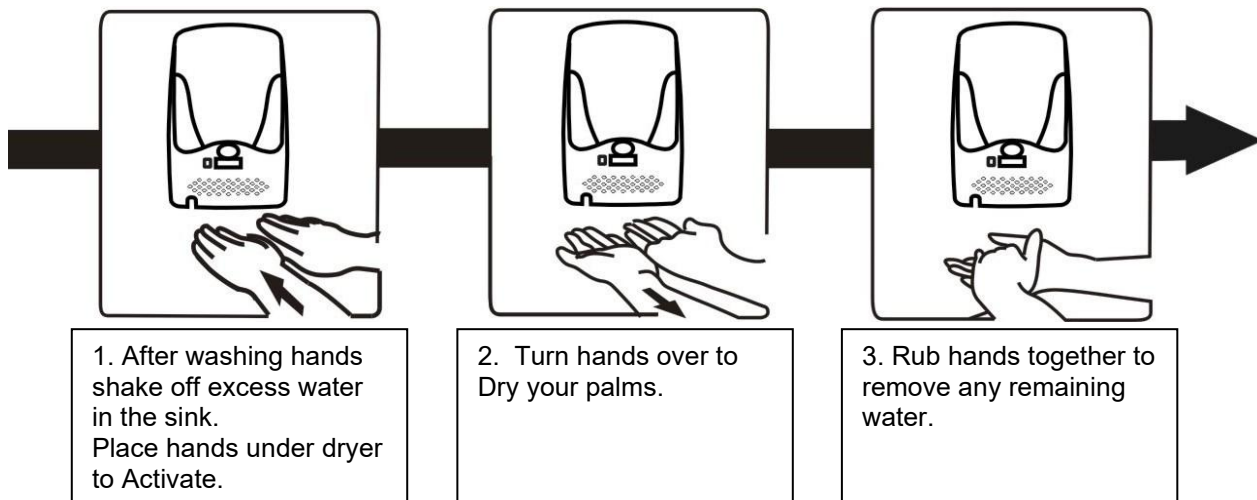
\*See recommended Mounting heights on Page 3.



### Hand Dryer test run.

1. Check the voltage of the power supply.  
Please use the stated voltage shown on the product rating label.
2. Turn on the RCD/power supply.
3. Dry hands.
4. Check the unit.  
Is the unit firmly fitted to the wall?  
Is there any vibration or strange noises?

### Using the hand dryer



Note:- This hand dryer is fitted with an Auto-stop function. The dryer will stop working after 40 seconds, once activated. Remove hands from sensor area and then try again.

### Routine Cleaning & Maintenance of the hand dryer



**Warning:-**  
The Hand dryer must be isolated from the power supply before any cleaning and maintenance takes place.

### Cleaning the body of the hand dryer

- Clean the unit with a soft cloth.
- If the unit gets very dirty, clean with a soft damp cloth with a neutral cleaning agent, then clean with a dry soft cloth.
- Remove any dirt from the sensor area.
- Only use a neutral cleaning agent.
- Do not use thinners, acidic or alkaline toilet cleaners, or any type of brushes. (use of these may damage the surface of the hand dryer).
- If chemical cloths are to be used, please read their instructions first.



**Caution always wear suitable gloves when cleaning**

## Hand dryer troubleshooting

If the following problems occur, please perform checks as follows.

<b>Problem</b>	<b>Check</b>	<b>Action</b>
No air blows even if hands are placed within the sensor range 15-20cm	Is the power switched on? Are you putting your hands in the sensor area?	Turn the circuit breaker/RCD on. Place hands under sensor.
The unit does not stop blowing once hands are removed from the sensor area.	Is the sensor being blocked by dust or dirt? Has it been installed too near any surface?	Isolate and turn of the power supply. Clean the sensor. Contact a service engineer
Airflow is cold.	Has the heater switch been turned off?	Isolate and turn off the power supply, remove cover, and check heater switch position.

If the above actions do not work, turn off the power supply, isolate the dryer, then call a service engineer.



### Disposal

This product should not be disposed of with household waste. Please recycle where facilities exist. Check with your local authority for recycling advice.

Anda Products, CRAWLEY, RH10 9YX

EU Authorised Representative: Anda Products Sigarenmaker 5 - 5521DJ Eersel Nederland

[authorisedrep@andaproducts.nl](mailto:authorisedrep@andaproducts.nl)