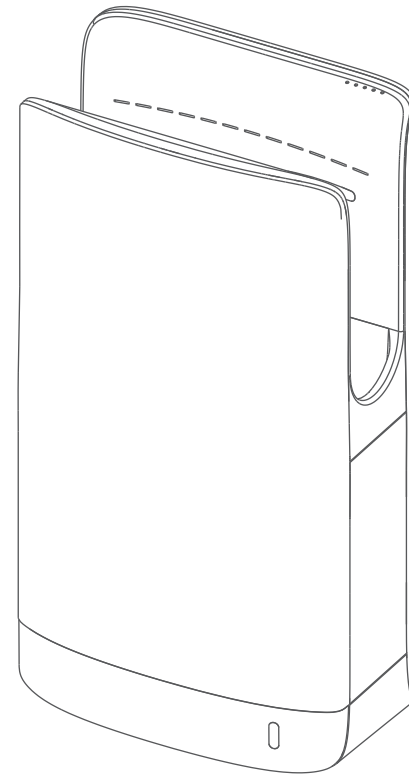


Jet Slim Hand Dryer

User Manual



User Manual

Please read this manual carefully before installing or operating the hand dryer to ensure safe and proper use. Retain this manual for future reference.

Product Features

Safety Warnings	2
Product Features	3
Operating Procedures	3
Specification	3
Hand Dryer Overview	4
Dimensions	5
Pre-Installation Safety Guidelines	6
Installation Procedures	8
Test Run	12
Maintenance	12
Troubleshooting	15
Electrical Schematic	16
Packing List	16

Safety Warnings



Warning: Improper use may result in personal injury.

- Do not open the front panel, as this may result in an electric shock.
- Do not allow children to climb on the unit, as it may fall and cause injury.
- Do not use the unit in areas where it may be directly splashed with water or exposed to freezing conditions, as this may cause electric shock or unit malfunction.
- Do not splash water on the unit, as this may cause an electric shock.
- Do not modify or disassemble the product. Doing so may cause fire, electric shock, or injury.
- Turn off the power before maintenance to prevent electric shock.
- Connect only to the specified AC power. Exceeding $\pm 10\%$ of the rated voltage can result in fire, electric shock, or malfunction.
- Use fixed wiring only. Connecting with other appliances may cause overheating at the outlet and fire.
- Install the drain tank and air filter before using the unit. Failure to do so may cause water leakage or electric shock.
- If the unit malfunctions or shows abnormal behavior, immediately turn off the power and the leakage circuit breaker. Contact the supplier for inspection or maintenance. Failure to do so may cause fire, electric shock, leakage, or short circuits.
- Install a leakage circuit breaker before use.
- Do not use a damaged power cord. Replacement must be done by the manufacturer, service agent, or qualified person to avoid danger.
- This hand dryer may be used by children aged 8 years and older, as well as by individuals with reduced physical, sensory, or mental capabilities, or with limited experience and knowledge, provided they are under supervision or have received appropriate instruction on safe use of the appliance.
- Children must not play with the appliance. Cleaning and user maintenance shall not be performed by children unless supervised.
- Installation must be performed by trained professionals to prevent electric shock or fire hazards.

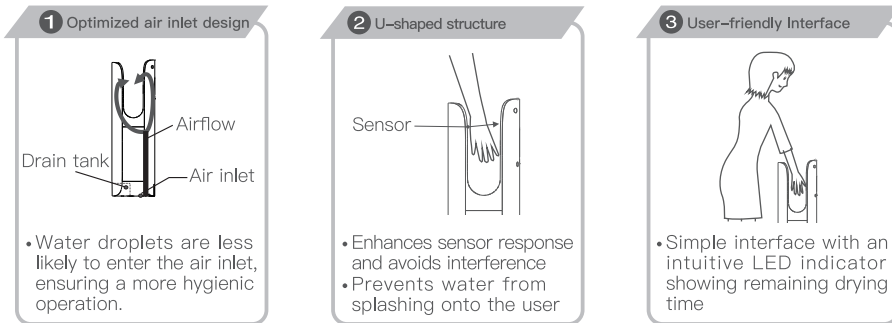
Product Features, Operating Procedures & Specification

Product Features

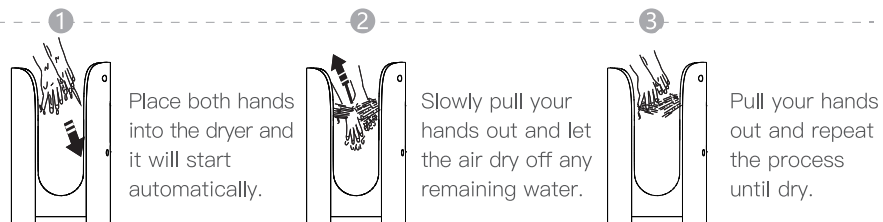
- Touch-free operation ensures hygiene.
- High-speed airflow quickly dries hands using minimal electricity.
- Made from eco-friendly materials without harmful substances.
- Automatic heating adjusts for comfort: warms hands in winter, cool airflow in summer for a refreshing dry.

Automatic Shut-off Function

To prevent misuse, the unit will automatically stop after approximately 25 seconds of continuous operation. To continue drying, users should remove the hands and then place them into the dryer again.



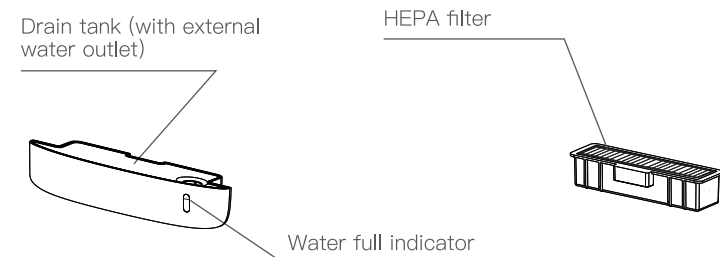
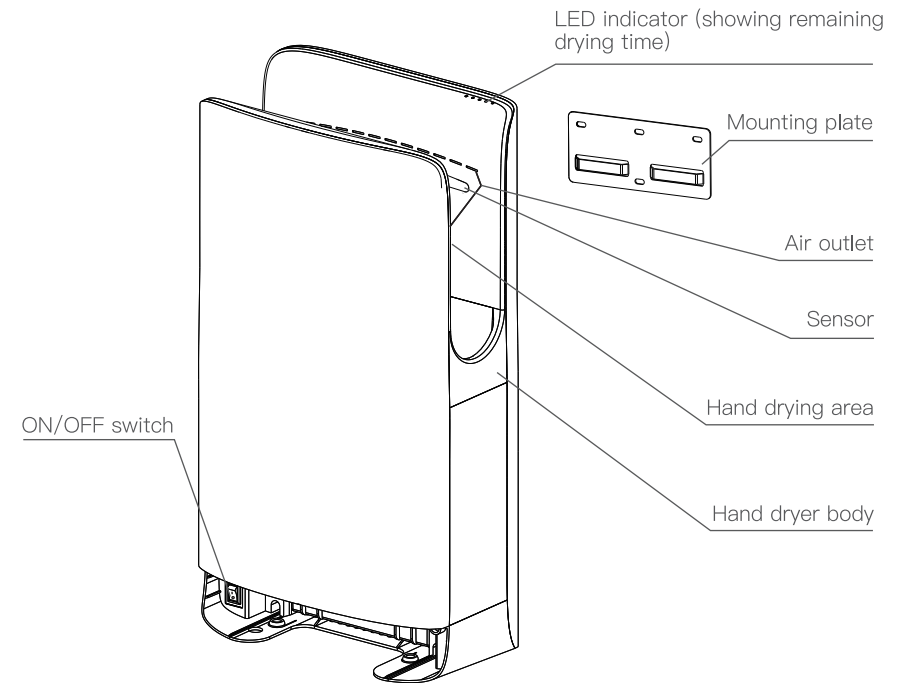
Operating Procedures



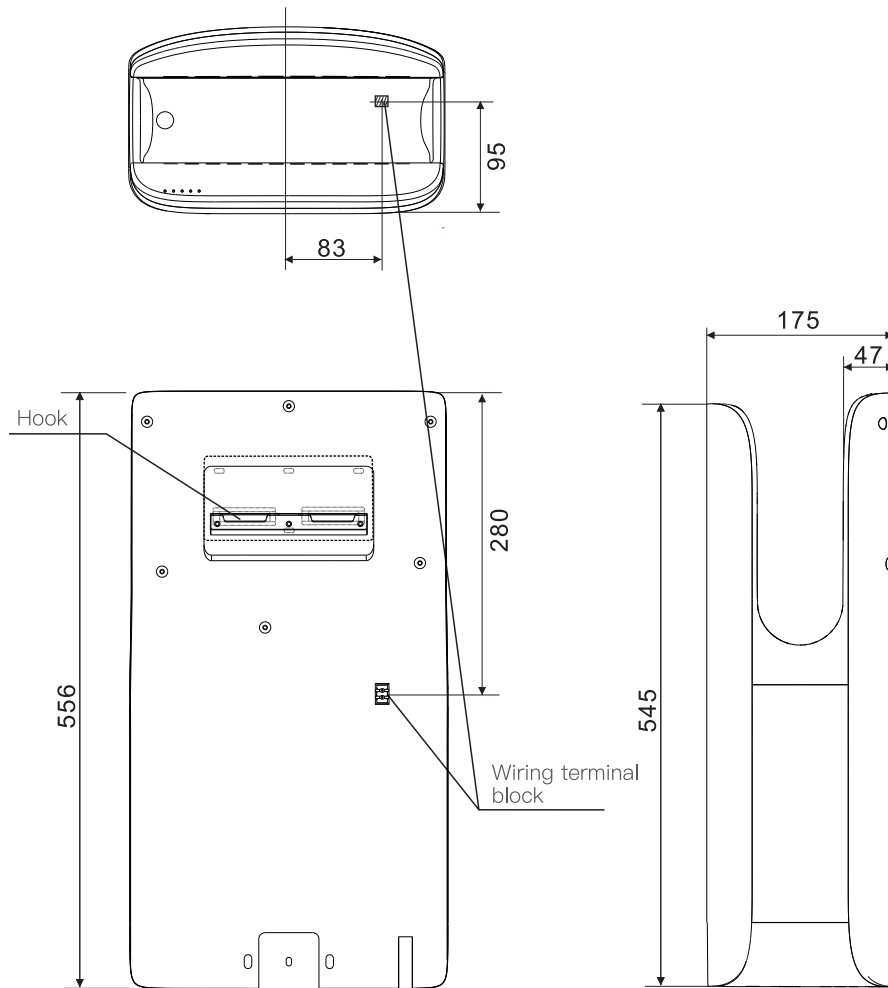
Specification

Voltage	AC220V-240V	Motor Type	Brush motor
Power Rating	1400W-1750W	Motor Power	750W
Air Speed	92m/s	Dimensions	296 x 175 x 556mm
IP Rating	IP24	N.W.	5.8kg

Hand Dryer Overview



Dimensions



Pre-Installation Safety Guidelines

1. Pre-Installation Safety Guidelines

Do not install the product (power cord) with power on.

Place the hand dryer where it's easy to use and leave enough space around it for cleaning and upkeep.

Wear gloves when installing



2. Do not install the unit in the following locations:

Where the temperature may exceed -10°C or 40°C .
Where the unit may come into direct contact with water.
Where it is exposed to direct or intense sunlight.
Where condensation occurs easily.
Where corrosive, neutral, or reductive gases are present.
Where the altitude is below sea level or above 2,000 m.

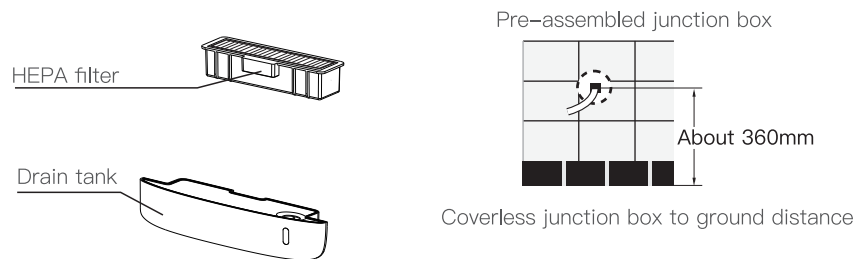
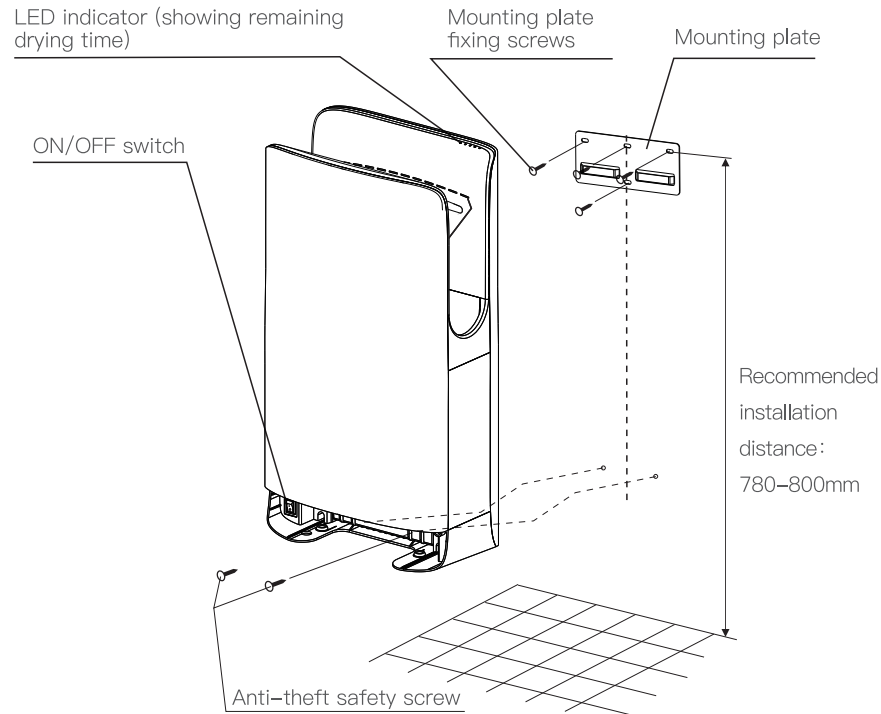
3. Installation location

1. Install the unit as shown in the illustration diagram below. Ensure the bottom of the hand dryer is at least 150 mm above the floor. Installing it too low may allow water to splash onto the dryer during floor cleaning and could hinder access to the HEPA filter for cleaning or replacement.
2. Maintain at least 150 mm between the left side of the dryer and any wall so the power switch is accessible.
3. Maintain at least 100 mm of space on the right side of the dryer from walls or objects.
4. Avoid installing the unit where it may be bumped by people or doors.
5. Install the unit on a flat wall for proper mounting

Pre-Installation Safety Guidelines

Power Supply Instructions

- The unit is recommended to be powered via a wall socket. Install a standard two-hole socket 20–30 cm from the unit.
- If direct wiring is required, connect the power cord to the terminal block and place the uncovered junction box at the installation location.



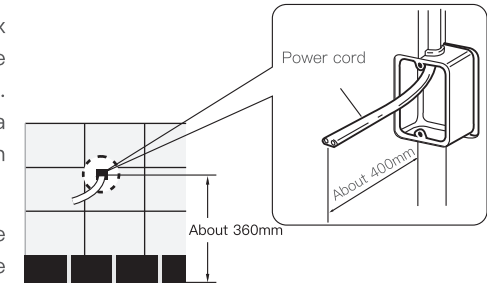
Installation Procedures

1. Use a 220–240V~ 50Hz power supply. (Do not operate if the voltage exceeds $\pm 10\%$ of the rated value.)

1. Use a power cord with a cross-section of 1.5–2.0 mm². For cable runs longer than 11 m, 2.0 mm² is recommended to prevent voltage drop. Do not install the unit above a fixed socket outlet.

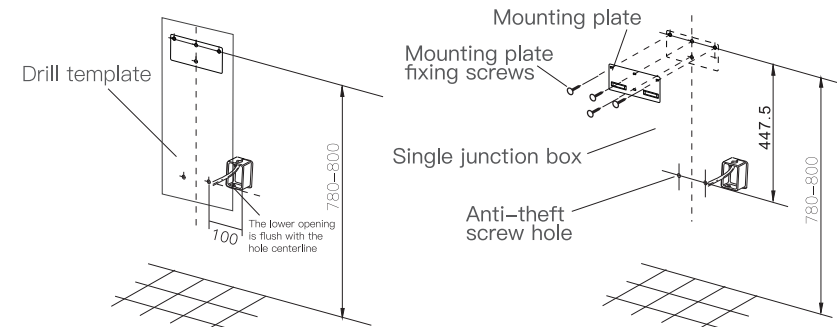
2. Wiring Instructions

- Fit a suitable recessed back box and route the cable as shown. Wire the unit according to the diagram. The unit should be supplied with a length of flexible cord for connection to a suitably rated fused spur.
- If a junction box is not used, the power cord may be pinched at the back of the casing and the unit may not fit properly.



2. Fix the mounting plate to the wall with the provided screws.

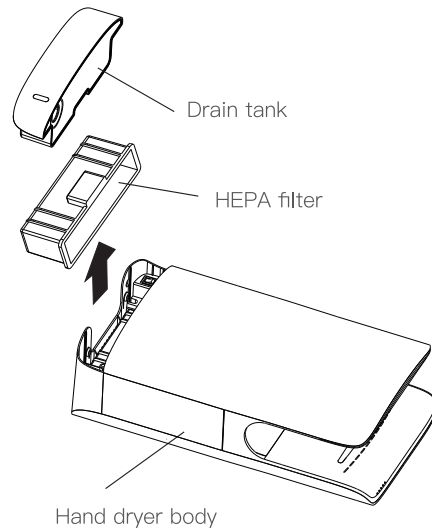
1. Attach the installation panel to the wall using the four supplied screws. For concrete walls, use commercially available metal wall plugs. Ensure the wall is strong enough to support the hand dryer (5.8 kg).
2. For non-concrete walls, they should be reinforced before installation.
3. Use the supplied wall template to mark the positions of the mounting screws and the junction box.
4. Ensure the template is flush against the wall before drilling the four mounting plate holes. Then drill the two anti-theft screw holes near the bottom of the unit.
5. Insert the six wall plugs into the drilled holes, then secure the mounting plate as shown.



Installation Procedures

3. Remove the drain tank and HEPA assembly

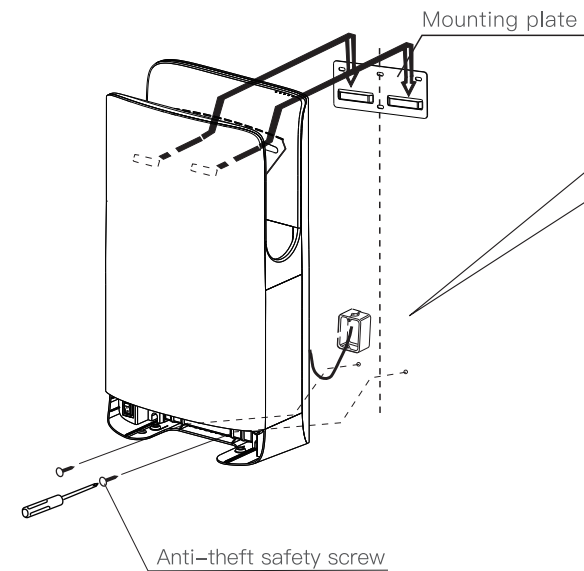
To access the anti-theft screw positions, remove the drain tank and HEPA filter assembly as shown.



Installation Procedures

4. Wiring the Unit and Installing on the Wall

1. Ensure at least 300 mm of cable is available to connect to the junction box.
2. Hang the back of the hand dryer on the hook.
3. Run the power cord from the hand dryer and the junction box together, and connect them using a suitably rated connector. Connect Live (L) to Live (L) and Neutral (N) to Neutral (N). This is a Class II appliance and does not require an Earth connection.
4. After all wiring is complete and tested, secure the unit to the wall using the two anti-theft screws.



Note

Once it's confirmed that the hand dryer is mounted on the plate, the anti-theft safety screw below should be tightened. Otherwise, the hand dryer could fall off the wall or be stolen.

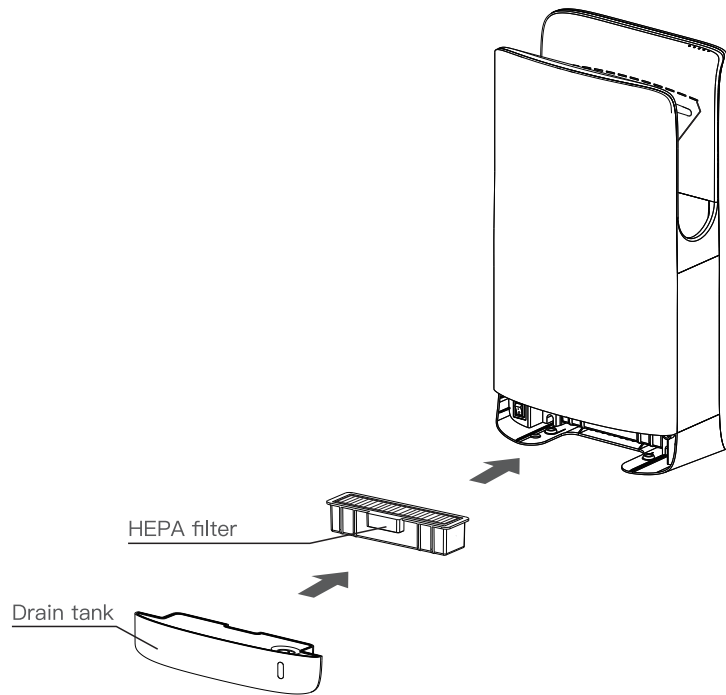
Installation Procedures

5. Install the front panel

① **Install HEPA filter**

Push the air filter into the body and make sure it is in place.

② **Install drain tank**



Test Run and Maintenance

Test Run Checklist

Step	Check	Result
Check the power supply voltage	Is it a 220V single-phase AC power supply?	
Turn on the RCD / power supply.		
Set the power switch to [On]	Is the power indicator in the display section on?	
Place your hands in the hand dryer	Is the unit drying your hands?	
	Is it securely mounted to the wall? Are there any vibrations or unusual noises?	

Maintenance

Take place before noticeable contamination occurs

Warning:

The hand dryer must be disconnected from the power supply before performing any cleaning or maintenance.

Cleaning the Body of the Hand Dryer:

1. Wipe the unit with a soft cloth.
2. For heavily soiled units, use a soft damp cloth with a neutral cleaning agent, then wipe again with a dry soft cloth.
3. Remove any dirt from the sensor area.
4. Only use neutral cleaning agents.
5. Do not use thinners, acidic or alkaline toilet cleaners, or brushes, as these may damage the hand dryer's surface.
6. If using chemical wipes, follow the manufacturer's instructions carefully.

Caution:

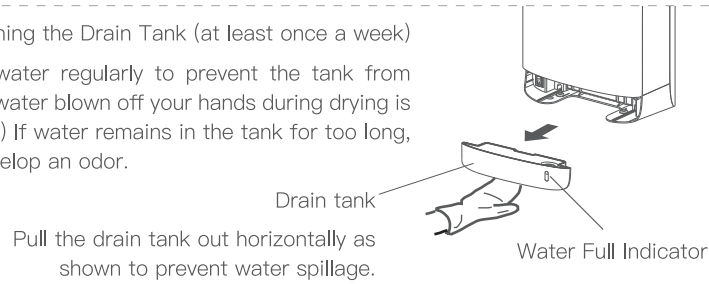
Always wear suitable gloves when cleaning.

Maintenance

Drainage and cleaning of the drain tank

Draining and Cleaning the Drain Tank (at least once a week)

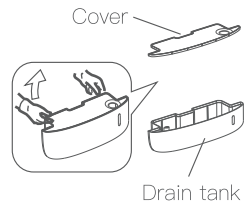
Empty the drain water regularly to prevent the tank from overflowing. (The water blown off your hands during drying is called drain water.) If water remains in the tank for too long, it may start to develop an odor.



1

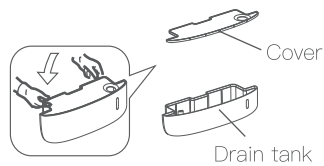
Open the cover of the drain tank

Pull the cover up with your fingers in the two corners of the cover, and then remove the cover completely.



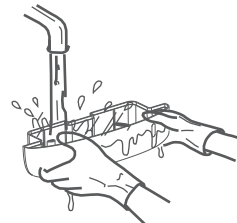
3

Close the drain tank cover, and re-attach it to the unit



2

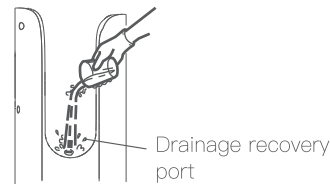
Wash out the interior of the drain tank



(to prevent blockage of the drainage recovery inlet)

4

To prevent blockage, pour 200 cc of water through the drain hole at least once a week.



Maintenance

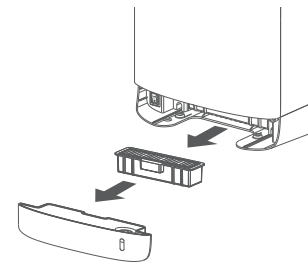
Cleaning the HEPA filter

Perform this maintenance when the airflow decreases significantly, or at least once every six months.

1

Remove the HEPA filter

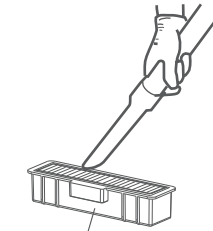
Pull out the drain tank, hook the HEPA filter frame with your fingers, and remove the component horizontally.



2

Cleaning the air filter

Clean the filter using a vacuum cleaner. If it is very dirty, wash gently in cold or warm water, let it dry completely, and then replace.

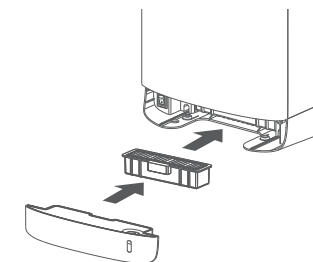


⚠ Please note: If washing with water, it must be dried before use.

3

Install the HEPA filter back into the hand dryer

Insert the air filter fully until it stops. If the filter is not properly installed, dirt and dust may enter the unit, reducing its service life and antibacterial effectiveness.



Troubleshooting

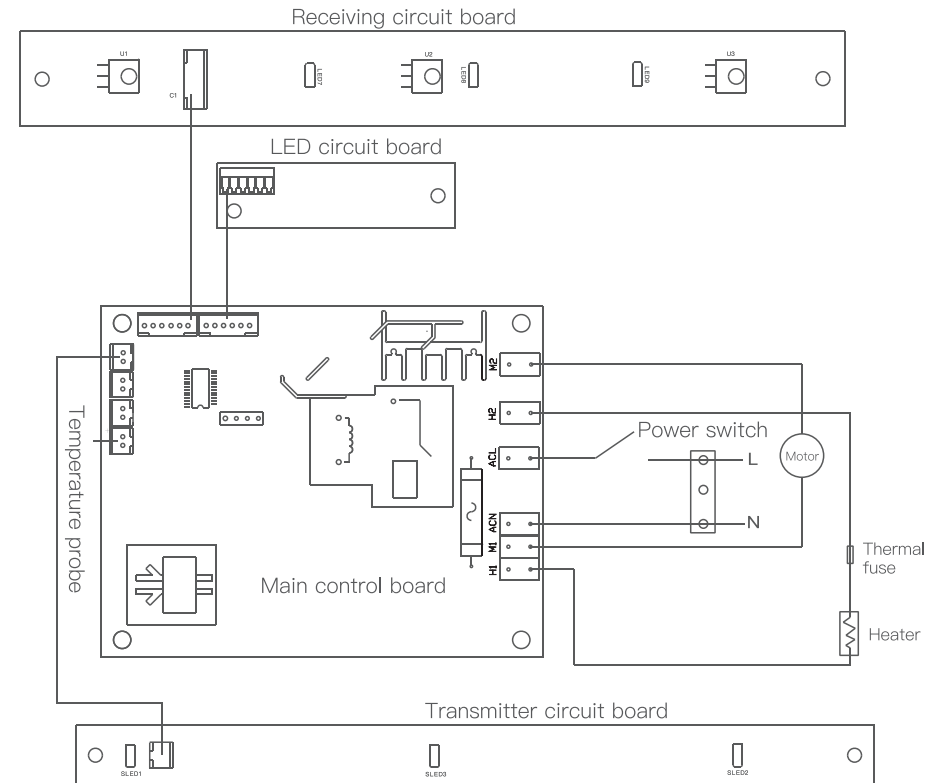
Drainage and cleaning of the drain tank

If any of the following issues occur, perform the checks below:

Problem	Check	Action
No air blows even if hands are inserted	Does the LED indicator light up?	Turn the circuit breaker/RCD on.
	Is the power switch on?	Turn the power switch on.
	Are you putting your hands all the way in?	Put hands all the way in.
The unit does not stop blowing once hands are removed	Is the sensor being blocked by dust or dirt?	Turn off the power and wait until all display lights are off, then clean the sensor.
Does not produce hot air	Is the ambient temperature too high?	This product has a built-in temperature control probe. When the ambient temperature is $\geq 25\text{ }^{\circ}\text{C}$, the heater will stop heating.
If the above steps do not resolve the issue, turn off the power, isolate the dryer, and contact a service engineer.		

Electrical Schematic and Packing List

Electrical Schematic



Packing List

Hand dryer *1	5*25 Self-tapping screw *4	Mounting plate *1
Brush *1	5*35 Anti-theft safety screw *2	5mm wall plugs *6
User manual *1	Drill guide template *1	



This product should not be disposed of with household waste. Please recycle where facilities exist. Check with your local authority for recycling advice.

Anda Products, Crawley, England, RH10 9YX

EU Authorised Representative: Anda Products Sigarenmaker 5 – 5521DJ Eersel Nederland
 authorisedrep@andaproducts.nl